



**ENDE TEK**  
A U S T R A L I A

# HD360 Telescopic Pole Camera

## Operation Manual



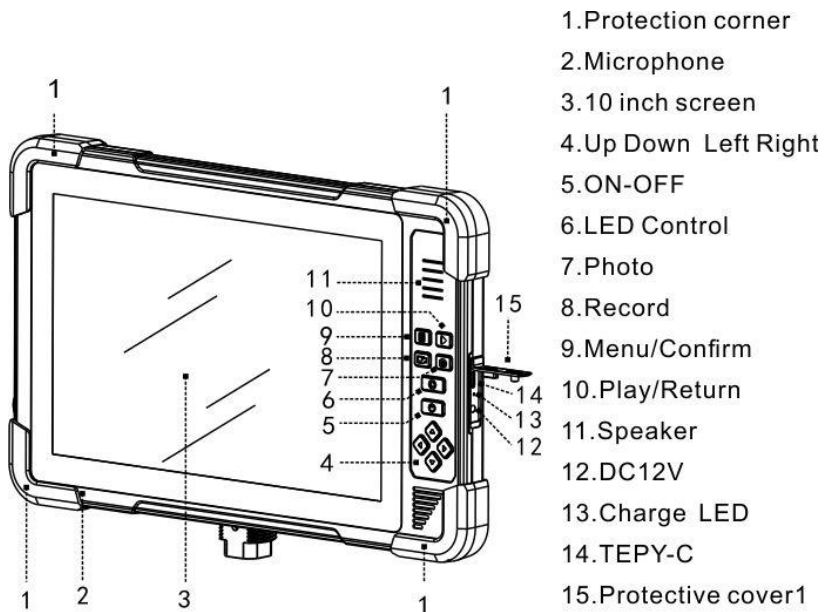
# Menu

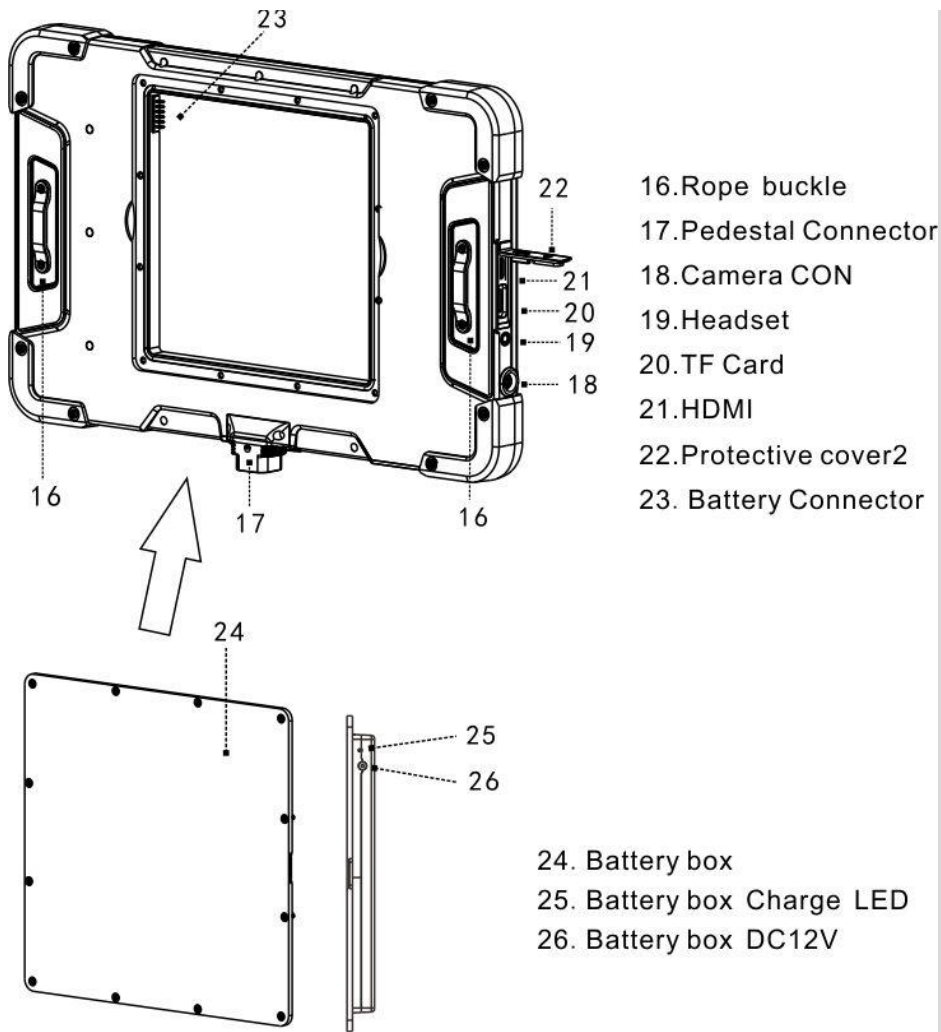
Product Overview .....	3
4K Tablet Monitor.....	3-4
360° Intercom Camera (Optional).....	5
Hose Intercom Camera (Optional).....	6
Infrared Thermal Imaging Camera (Optional).....	7
Carbon Fiber Rod.....	8
Installation & Use.....	9
Button Operation.....	10-11
Screen Touch.....	11-13
System Setting.....	14-15
RoadCam App .....	16
APP Monitoring Interface.....	17
Charge/ Firmware upgrade/Attention.....	18
Specifications.....	19-21
RoadCam App Download.....	21

## Product Overview

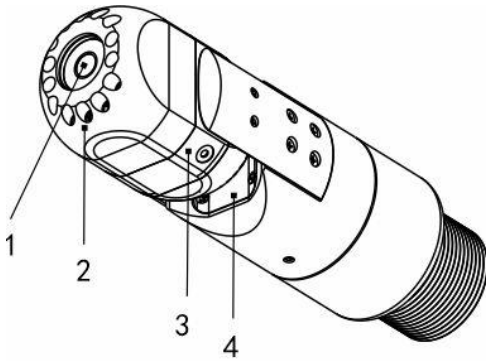
This HD360 can take up to 4K videos and 12 MP photos. Functions of photographing, recording and controlling, like 360° camera rotation, can be completed through screen touch, buttons both on monitor & rod. This detector uses a 10.1 HD touch screen, a 5 megapixels 360° intercom camera (optional), a 5 megapixels hose intercom camera(optional), an infrared thermal imaging camera (optional) and a telescopic carbon fiber rod combination.

## 4K Tablet Monitor

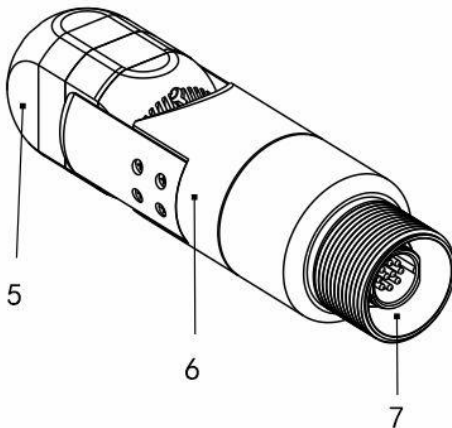




**360° Audio & Video Camera (Optional)**

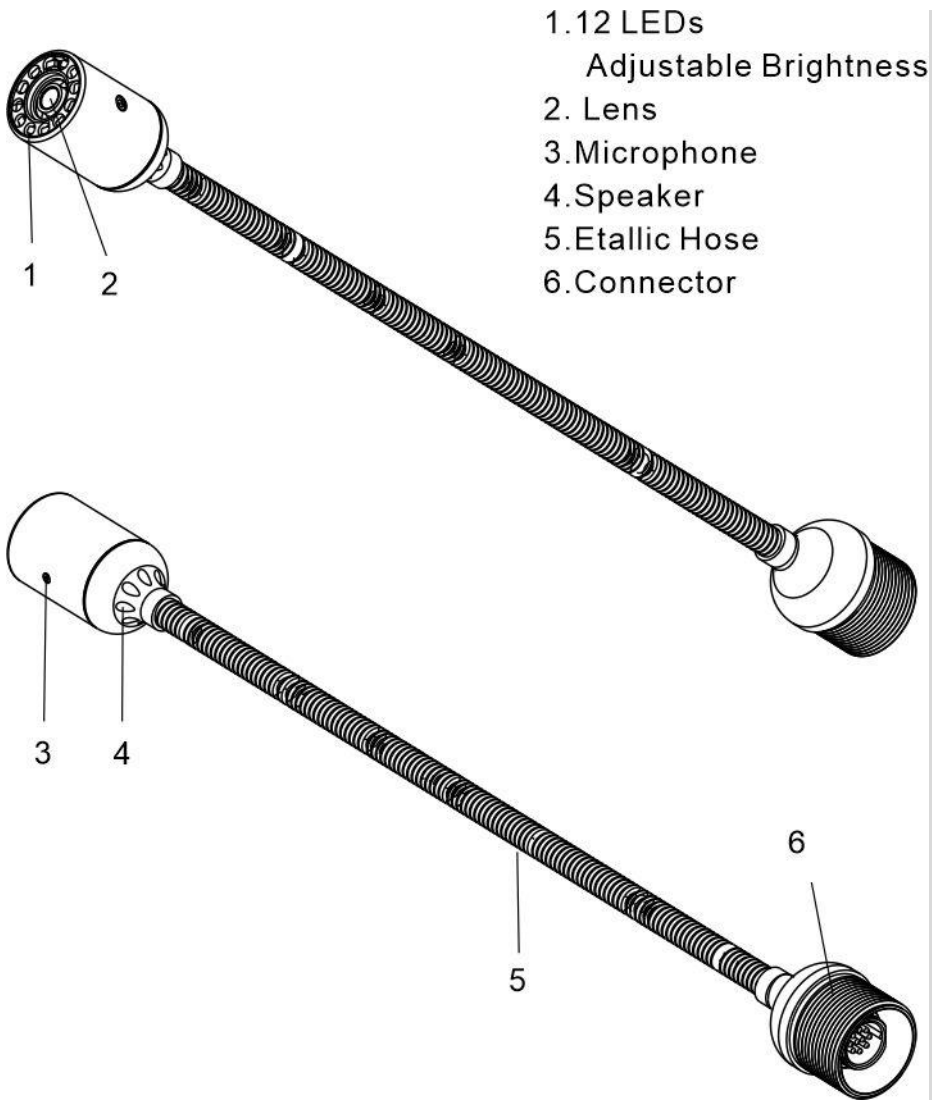


1. Lens
2. 12 LEDs  
Adjustable Brightness
3. Microphone
4. Speaker

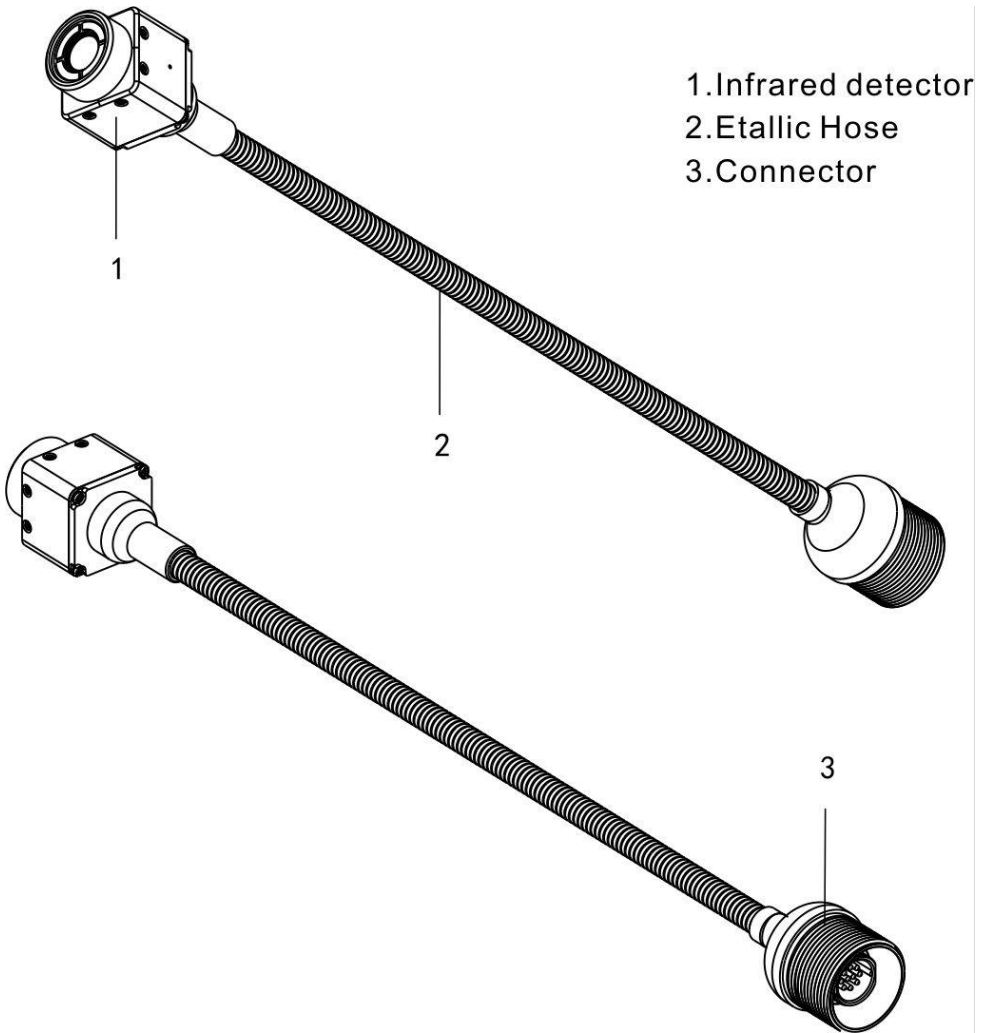


5. Up & Down  
Rotation Unit
6. Left & Right  
Rotation Unit
7. Circular Connector

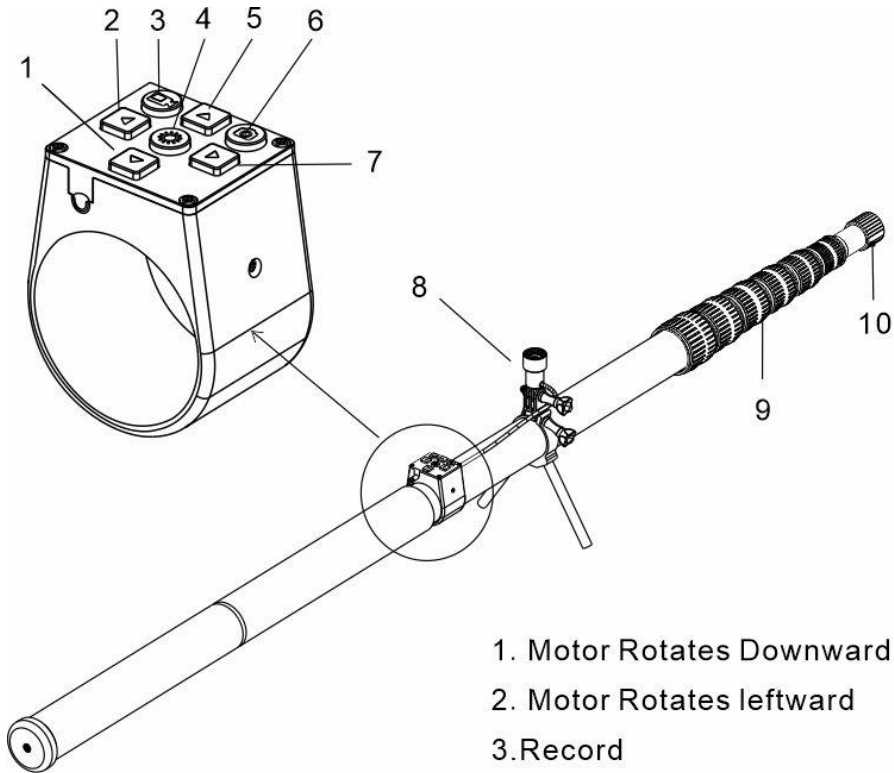
## Audio and Video Camera (Optional)



## Infrared Thermal Imaging Detector (Optional)



## Carbon Fiber Rod

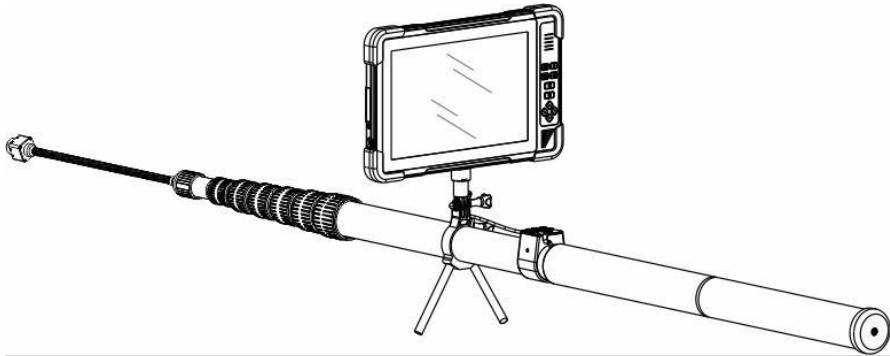


1. Motor Rotates Downward
2. Motor Rotates leftward
3. Record
4. Camera Brightness Adjustment
5. Motor Rotates Upward
6. Photo
7. Motor Rotates Rightward
8. Mointor Port
9. Fix Knob
10. Camera Port

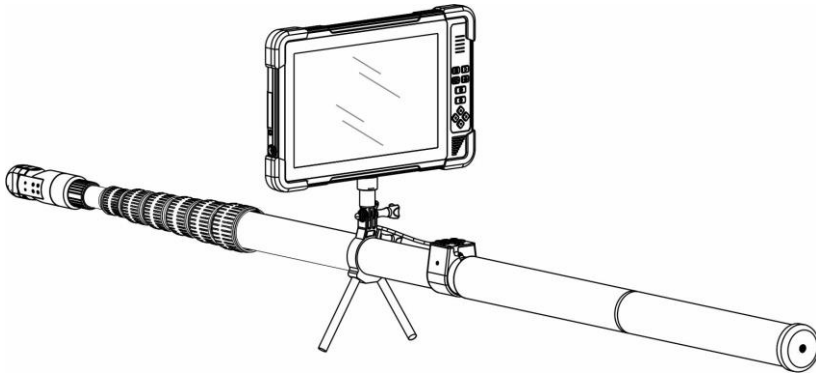
## Installation & Use



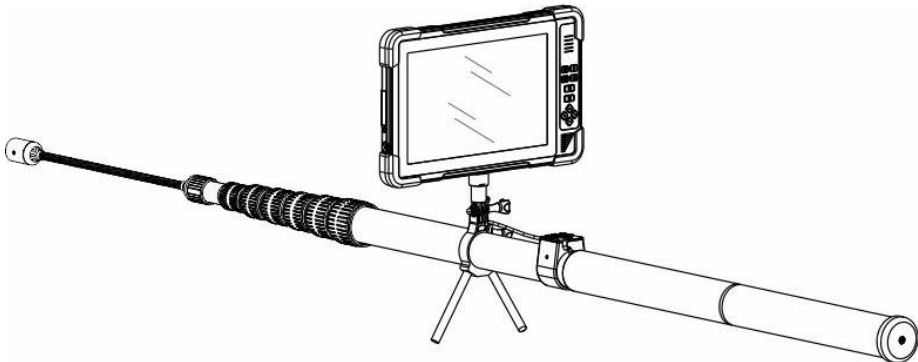
### 1. Infrared Thermal Imaging Life Detector (Optional)



### 2. 360 ° Audio and Video Life Detector (Optional)



### 3. Audio and Video Life Detector (Optional)



## Button Operation

-  **ON-OFF**

Press briefly to power on. Press it for 3s to power off. If crash, press it for 10s to power off and reset.

-  **Photo**

Press briefly, flashes once and get a photo.

-  **Record**

Press briefly to record, and the icon turns blue. The video timer can time. Press again to end.

- ▶ **Play/Return**

Press briefly to enter. Press Up-Down-Left-Right to select.



Press  to confirm. Press  Play again to exit.

-  **LED Control**

Press it briefly to select On-7 brightness cycle-OFF.

-  **Menu/Confirm**

Press it briefly to enter. Press Up-Down-Left-Right to select.

Press  to confirm. Press  Play to exit.

-  **UP**

Press to turn camera upward. Release to stop.

-  **Down**

Press to turn camera downward. Release to stop.

-  **Left**

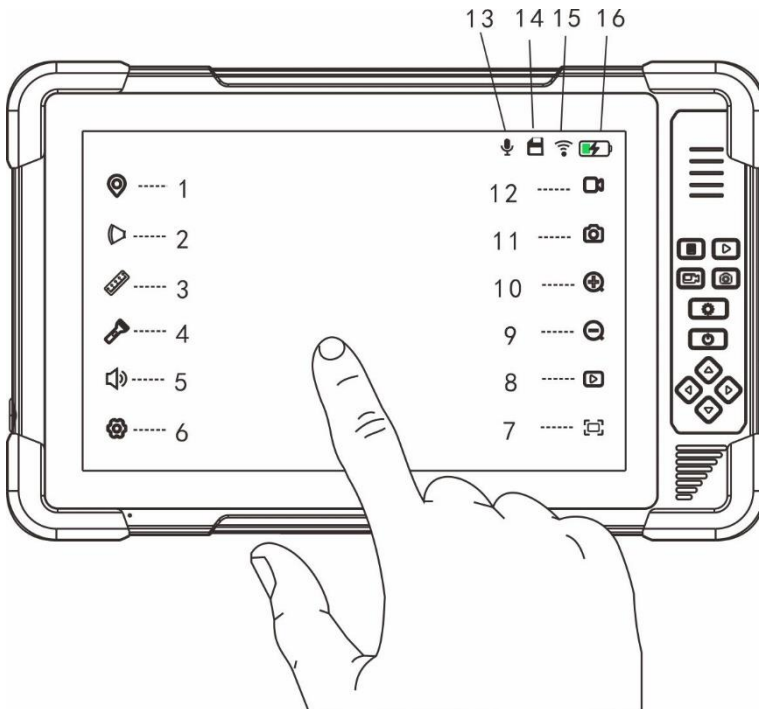
Press to turn camera leftward. Release to stop. Press &

hold for 10s to turn camera leftward and into cruise mode.  
Press any UP-Down-Left-Right to stop.


- **▶ Right**

Press to turn camera rightward. Release to stop. Press & hold for 10s to turn camera rightward and into cruise mode. Press any UP-Down-Left-Right to stop.


## Touch Screen




### 1. Mark

 : Pop up keyboard to input mark, which will display in the lower left corner. Touch it to revise or delete.


## 2. Lens Zooming(*Purchase our zoom camera*)

 : Move slider to zoom the lens of remote camera.

## 3. Range Measurement(*Purchase our range camera*)

 : It shows the measured range by remote camera.

## 4. LED Brightness Control

 : Move slider to control the brightness of remote camera.


## 5. Speaker Volume Control

 : Move slider to control the speaker volume.



## 6. System Setup

 : Touch this to enter into system setup

## 7. Screen Switch

 : 9: 16 and 3:4 screen display switching


## 8, Play

 : Play photo & video. Touch  to lock the important ones in case error deletion. Touch again to unlock.


## 9. Zoom out

 : Touch this to zoom out the screen.

## 10. Zoom in

 : Touch this to zoom in the screen.


## 11.Photo

: Touch to take photo and screen flashes once.

## 12. Record

The icon turns blue, and the video timer starts timing

## 13. Mic.

: Mic. is on. If crossed, Mic. is off.


## 14. Micro SD card

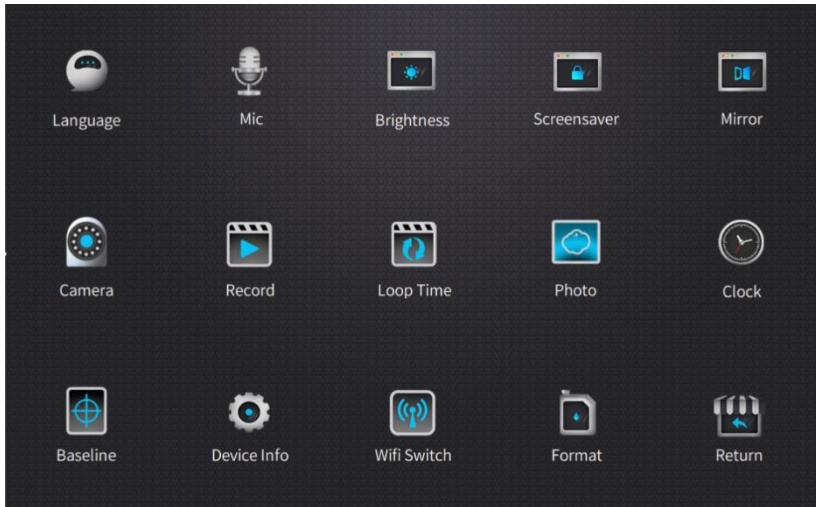
: Card is ok. If crossed, abnormal or no card.

## 15. WiFi

: WiFi is on; if crossed, WiFi is off.

## 16. Battery power

: Display battery power: the lighting shows it's charging.



### **Language**

Show the available languages: English, Chinese, Traditional Chinese, Japanese, Korean.

### **Mic.**

Touch to turn the microphone on/off.

### **Brightness**

Touch to set the screen brightness.

### **Screensaver**

Touch to set the time of screen Saver

### **Mirror**

Touch to set: normal display; flip horizontal; flip vertical; flip horizontal & vertical.

### **Camera**

Touch to set camera input resolution. According to the resolution & frame rate of the known AHD camera, you can choose: 2K, 1080P, 720P, CVBS. Monitor will reset after switching the resolution.

### **Record**

Touch to set resolution of recording.

### **Loop Time**

Touch to set the time of recycle recording: 1s, 2s, 3s, 5s 10s, off. If choose 'off' , recording will end until the micro SD card is full.

### **Photo**

Touch to set the size of photo: 1.2 mega pixels, 8 mega pixels, 4 mega pixels, 2 mega pixels.

### **Clock**

Touch to set the system date & time.

### **Baseline**

Touch to set the types of baseline: off; cross; ruler; roundel.

### **Device Info.**

Touch to enter "About" and "Reset" . Touch " About" to show device information: Wifi name and password, memory size & remain storage of micro SD card, firmware version.

Touch "Reset" to delete all the settings in the current tablet monitor, and it will be restored to its original factory state and restarted.

### **Wifi Switch**

Touch to switch Wifi on or off.

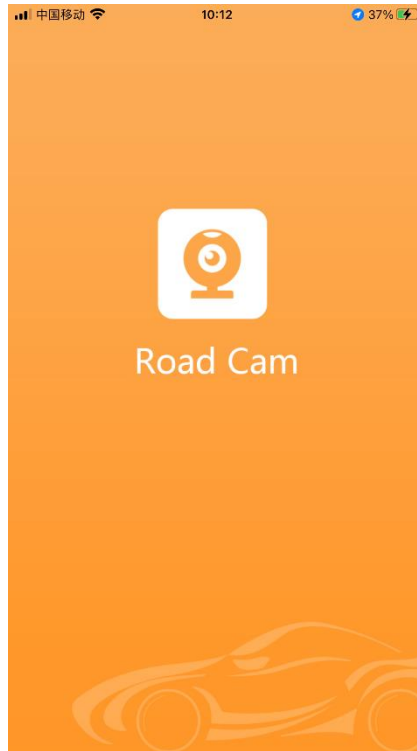
### **Format**

Touch and check format micro SD card. Format will delete all the data in micro SD card. Be sure to do a good job of data backup.

### **Return**

Touch it to return and exit system setting.

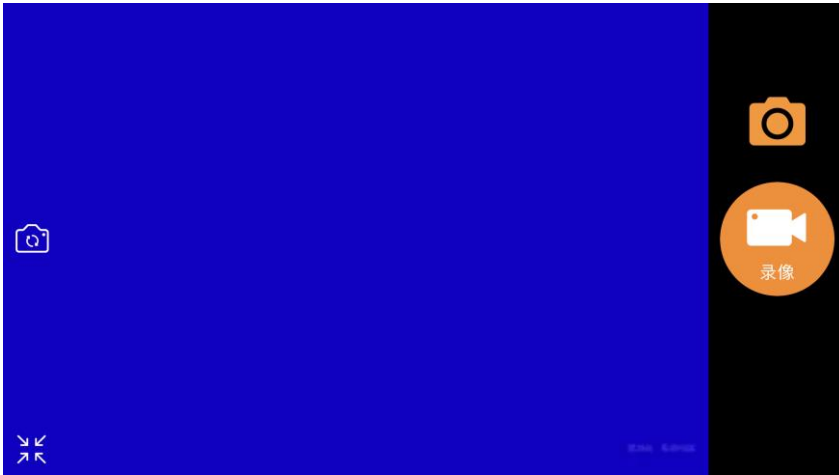
## **RoadCam APP**



Before run RoadCam App, turn on the Wifi of the monitor first. Find the SSID name and password in "About" . Then add the WiFi network of the monitor to the WiFi configuration of the external device.

## APP Monitoring Interface





- Run RoadCam App, touch device to connect. After successful connection, it automatically jump to camera interface. You can take photo, recording, play and share. You also can change the WiFi name and password in RoadCam Setting.
- Save the photo and recording files to monitor.

## Charge

Push away the waterproof protective cover. Connect DC12V adapter with DC port, or connect Type-c port with USB-C adapter (user himself provided). During Charging, the indicator is on. When fully charged, the light turns off. It takes about 4 hours to fully charge.

## **Firmware Upgrade**

Before upgrade, please ensure power is >20% (1 grid). Copy upgrade file (SigmatarUpgradeSD) to microSD card. Power on, it will auto upgrade. It will auto turn off after upgrade. Unplug card to finish upgrade.

## **Attention**

1. Please use device under temperature between  $-20^{\circ}\text{C}$  and  $60^{\circ}\text{C}$ . Excessive temperature will cause abnormal expansion, ignition and even explosion of the battery. Before using it under low temperature, it is recommended to fully charge under normal temperature to extend the life of battery.
2. Please place device in a proper position to prevent it from falling and breaking the screen.
3. This machine is dustproof and rainproof. Please do not immerse the machine in water.
4. If you continue to use the microSD card on this device after upgrade, please delete the upgrade file in the card first.

## **Specification**

---

## 4K Tablet Monitor

Display	10.1inch 1280*800pixels
Max photo resolution	4000X3000 (12 megapixel)
Video Record	4K(16:9): 3840x2160@25/30fps 2K(4:3):2560x1944@25/30fps 2K(16:9):2560x1440@25/30fps 1080p(16:9):1920X1080@25/30fps
Video Format	MP4(H.265)
HDMI Output	1080P
microSD Card	2GB-256GB(64GB default)

## 360° Intercom Camera (optional)

Sensor	SONY
Resolution	5 megapixels (2560 x 1944)
Camera Rotation	360 ° horizontal circular rotation 180° vertical rotation
Rotation Rate	10r/min
Light Source	12 LEDs
FOV	128.5°
Aperture	F2.0
Focal Length	0.4-5m
MIC	48dB
Speaker	1W

## Hose Intercom Camera (Optional)

Sensor	SONY
Resolution	5 megapixels (2560 x 1944)
Light Source	12 LEDs
FOV	128.5°
Aperture	F2.0
Focal Length	0.4-5m
MIC	48dB
Speaker	1W

### **Infrared thermal imaging camera (Optional)**

Detector	uncooled vanadium oxide infrared focal plane detector
Resolution	384×288pixels
Pixels Spacing	12μm
Response band	8 ~ 14μm
NETD	≤50mK@25°C

### **Carbon Fiber Rod**

Unfolded Length	5.00m
Shrinkage Length	1.40m
Number of Telescoping Joints	5

WiFi Protocol	802.11 a/b
WiFi Operating Freq.	2.4000-2.4835GHz
WiFi Transmission Power	<16dBm
Battery Capacity	48Wh
Battery Type	Li-battery
Charging Environment TEMP	5°C-40°C
Use Environment TEMP	-20°C-50°C
Max Charging Power	15W
Working Time	Over 8 hours
Power Supply	DC 12V / 2.5A

## RoadCam App Download

